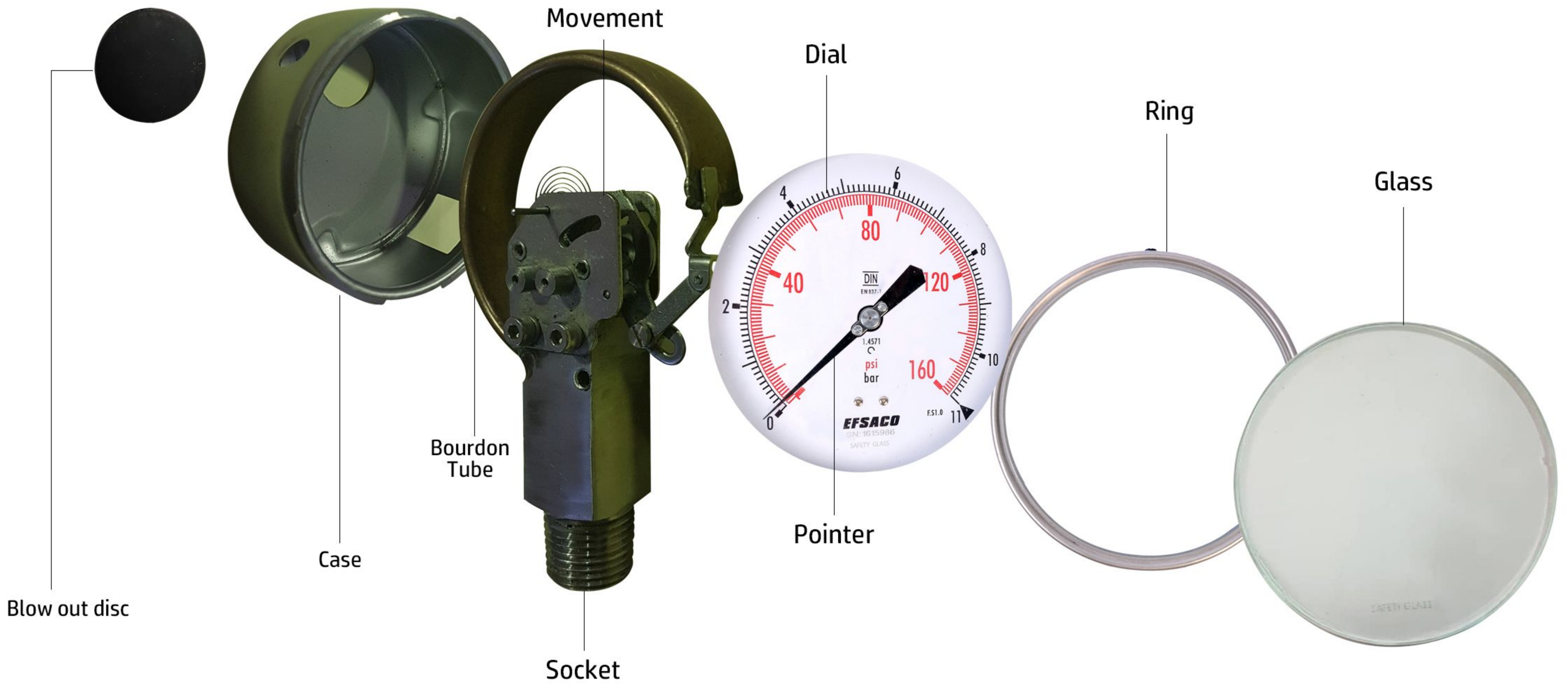




Euro Pressure Gauge (DIN) Model No.EFS-SS3010/EFS-SS3030/ EFS-SS3020



1.Gauge Pressure : It is the marked pressure Based on the atmospheric pressure.

2.Gauge Pressure : It is measuring of the positive gauge pressure .

3.Vacuum Gauge: It is measuring of the negative gauge pressure .

4.Compound pressure Gauge: It is measuring of the positive and negative gauge pressure .

5.Seal Type: It is a closed type which was sealed for the prevention of damage on the pressure gauge of Bourdon's tube inner part depending on the place where the pressure gauge was attached.

6.Safty Type: It has a safe guard to prevent the danger which can be produced by damage of Bouurdon's tube and so on .

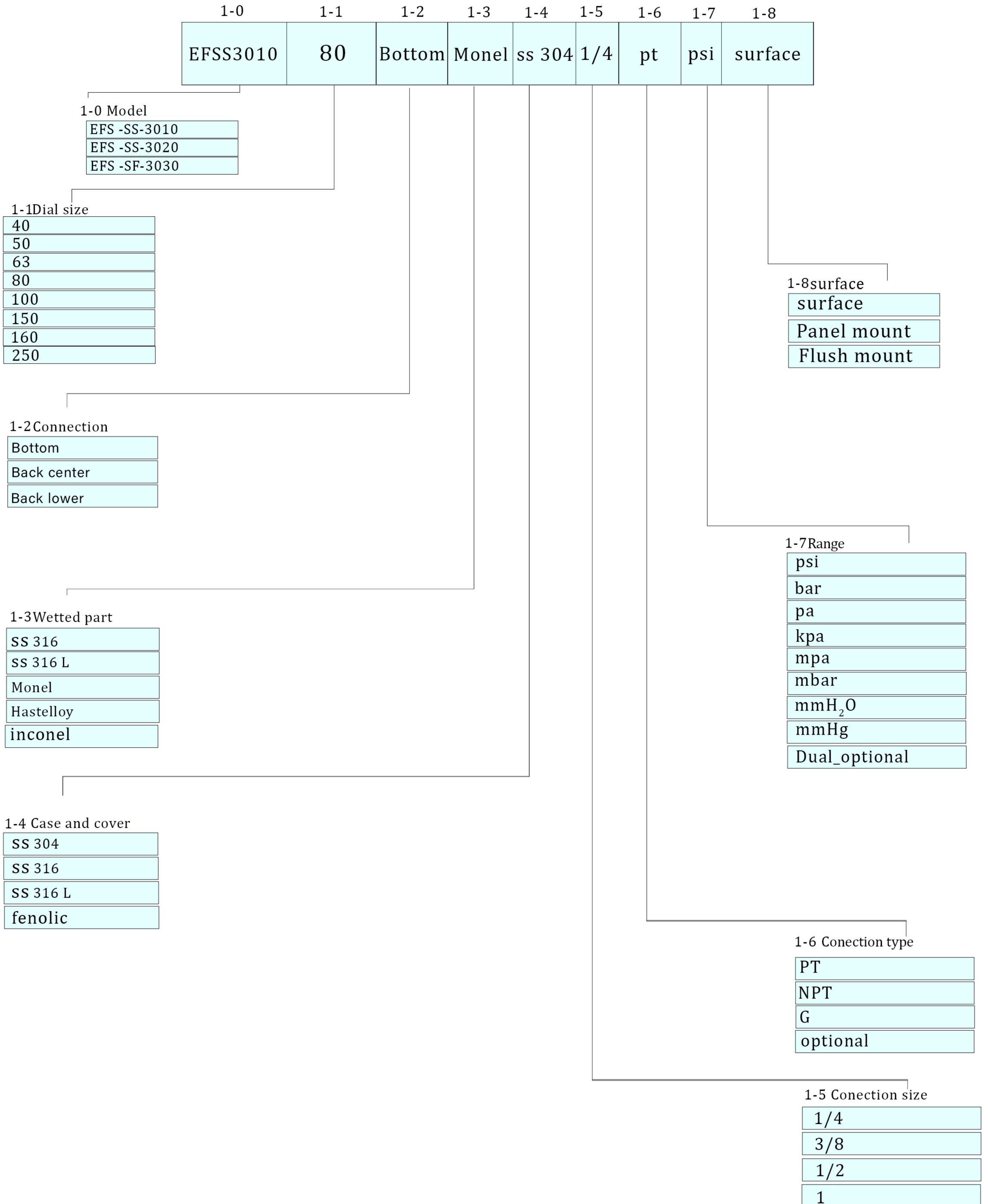
7.Static Pressure: It refers to the pressure , which does not exceed 1% of the maximum pressure of Bourdon's tube pressure gauge per second (in case of compound pressure gauge , the total sum of maximum pressure), change continuously with instantaneous velocity . It also refers to the pressure which the change of the whole pressure does not exceed 5% of the maximum pressure per one minute .

*Note) The maximum pressure refers to the value of the highest marked scale in the pressure. In case of compound pressure gauge , it is divided into pressure side and vacuum side and it refers to each value of the highest marked scale.

8.Variable Pressure: It refers to the pressure per second which periodically or constantly or discontinuously increases between 1% and 10% of maximum pressure of pressure gauge's Bourdon's tube .



Euro Pressure Gauge (DIN) Model No.EFS-SS3010/EFS-SS3030/ EFS-SS3020





Euro Pressure Gauge (DIN) Model No.EFS-SS3010/EFS-SS3030/ EFS-SS3020



EFS-SD3021



EFS-SD3024

Summary

This gauge has high corrosive resistance and inner chemical capability. This is built to be proper for corrosive atmosphere. The appearance looks beautiful because the case, cover and the connecting part are made of stainless steel and it has high accuracy.

Safety Management

- Be sure to install a protecting device where exist abrupt change of pressure, vibration and pulsation.
- Do not give impact during the transportation, installation and usage.
- Be sure to install pressure gauge to be horizontal and vertical.

Purpose of Use

- Generators (thermal, hydraulic, nuclear power plant)
- Various plants of chemistry, refinery, shipbuilding, etc.
- Food industry

Production Specification

- ▶ Diameter
 - 40, 50, 63, 80, 100, 160 mm
- ▶ Accuracy
 - 40,50 mm:4%,2.5% Full Scale
 - 63,80 mm:2.5%,1.6% Full Scale
 - 100,160mm:1%,0.5% Full Scale
- ▶ Working Pressure
 - Static pressure : 75% of Full Scale
 - Fluctuating pressure : 60% of Full Scale
- ▶ Working Temperature
 - Ambient : - 20 ~ 65 °C
 - Fluid : - 20 ~ 80 °C
- ▶ Degree of Protection
 - IP65, IP67

▶ Range

40 mm	-0.1 ~ 0 MPa
50 mm	- 0 ~ 40 MPa
63 mm	-0.1 ~ 0 MPa
80 mm	0 ~ 200 MPa

Product Specification

+ Type

- A-Type (Rimless type)
- B-Type (Surface type)
- D-Type (Flush mounting type)
- BD-Type (Panel attachment type)

+ Pointer

- Aluminum
- Black coating

+ Dial

- Aluminum
- White color coating
- Black (MPa), red (bar) gradations and characters

+ Window

- Tempered safety glass,
- Laminated safety glass

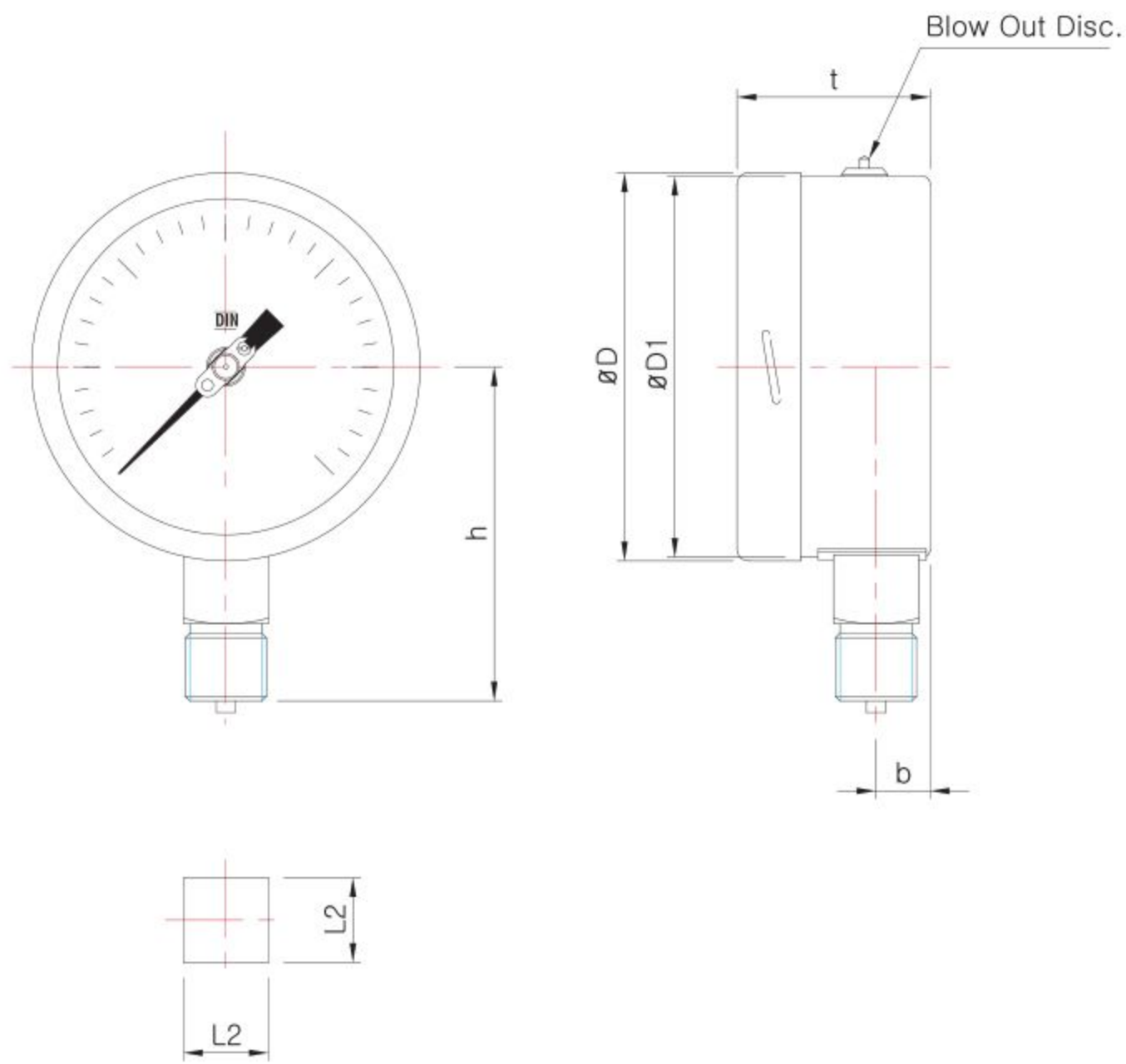
+ Option

- Top & Back
- Bracket
- Throttles
- Accessories

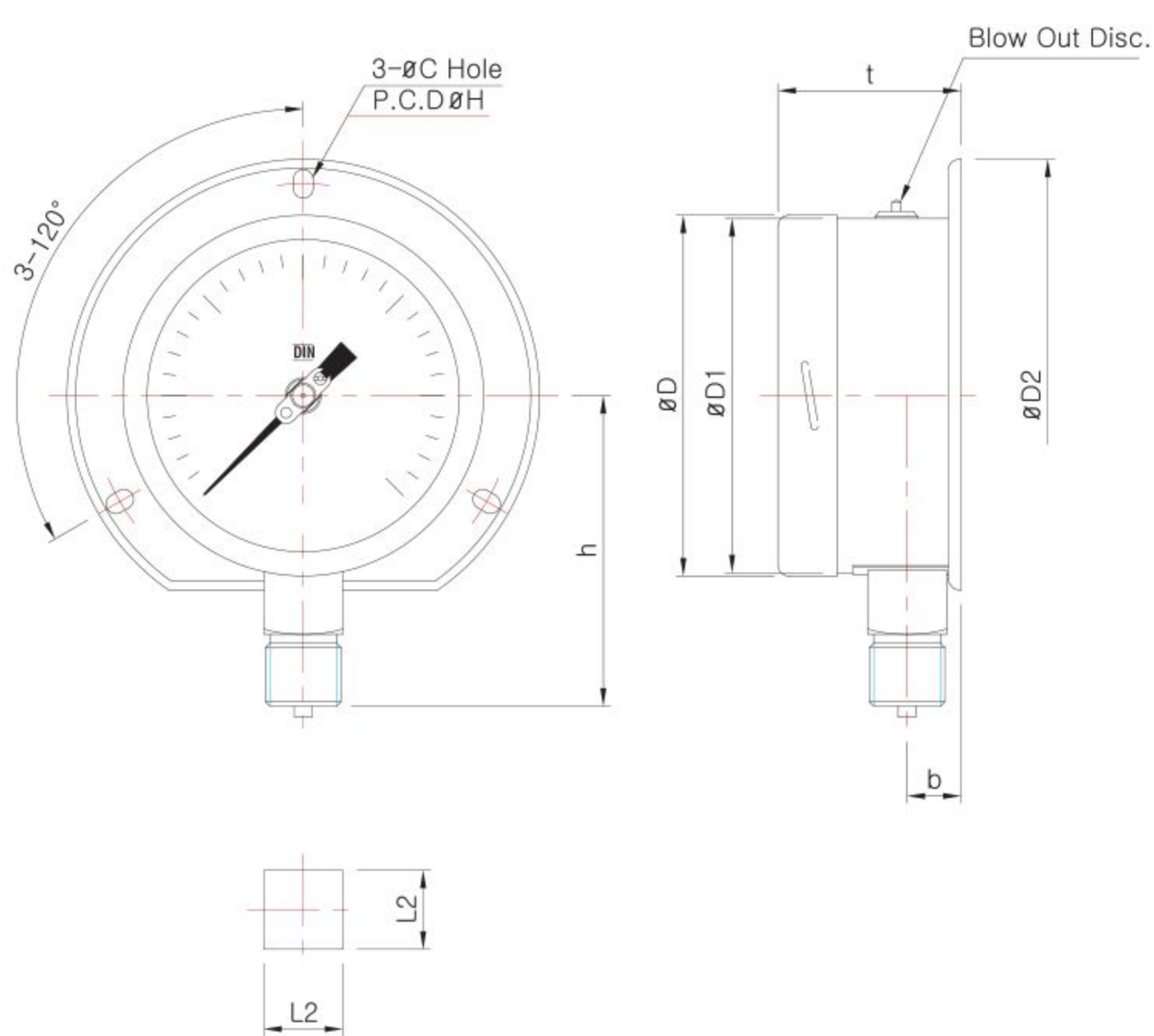


Euro Pressure Gauge (DIN) Model No.EFS-SS3010/EFS-SS3030/ EFS-SS3020

Model No. | EFS-SD3021
A Type



Model No. | EFS-SD3022
B Type



Model No. | EFS-SD3023
D Type

