



### Summary

Those accessories' performance and lifespan are dependent on selection of the gauge, correct installation and using method. Therefore, before installing a pressure gauge, it is important to select a proper accessory for the purpose of use. This manifold valve is to block fluid measurement temporarily when repairing, inspecting and fixing the pressure gauge. It is generally used in low pressure.

### Purpose of Use

- When connecting valves and cocks
- In case of installing a pressure gauge in a panel
- When attaching to a main steam line

### Production Specification

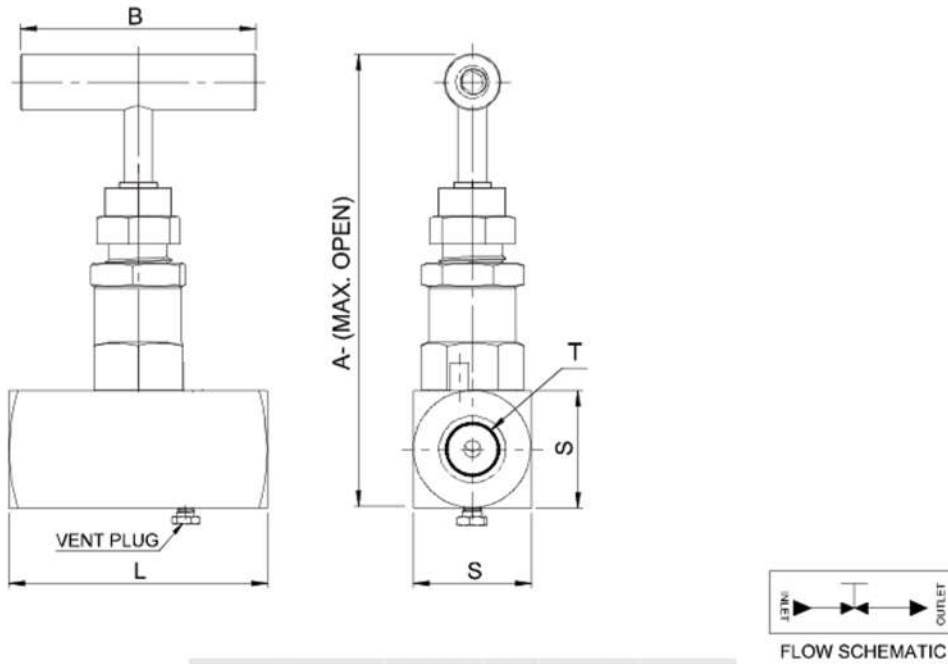
- ▶ Materials
  - Brass
  - Stainless Steel
- ▶ Connection
  - NPT1/2
  - NPT1/4
- ▶ Maximum Working Pressure
  - 20MPa
- ▶ Maximum Working Temperature
  - 200 °C

### Product Specification

- |  |   |
|--|---|
| + Body<br>· Steel · · · STS 304 , STS 316          | + Joint<br>· Steel · · · STS 304 , STS 316  |
| + Stopper<br>· Steel · · · STS 304 , STS 316       | + Washer<br>· Steel · · · STS 304 , STS 316 |
| + Gasket—Outlet<br>· Steel · · · STS 304 , STS 316 | + Class<br>· 1000 , 2000 , 3000 , 6000      |



Model No. | EFS-SS2W



T (FEMALE x FEMALE)	LENGTH SQ.		HT OPEN HANDLE	
	L	S	A	B
1/2"	66	30	95	55
1/4"	61	25	90	55