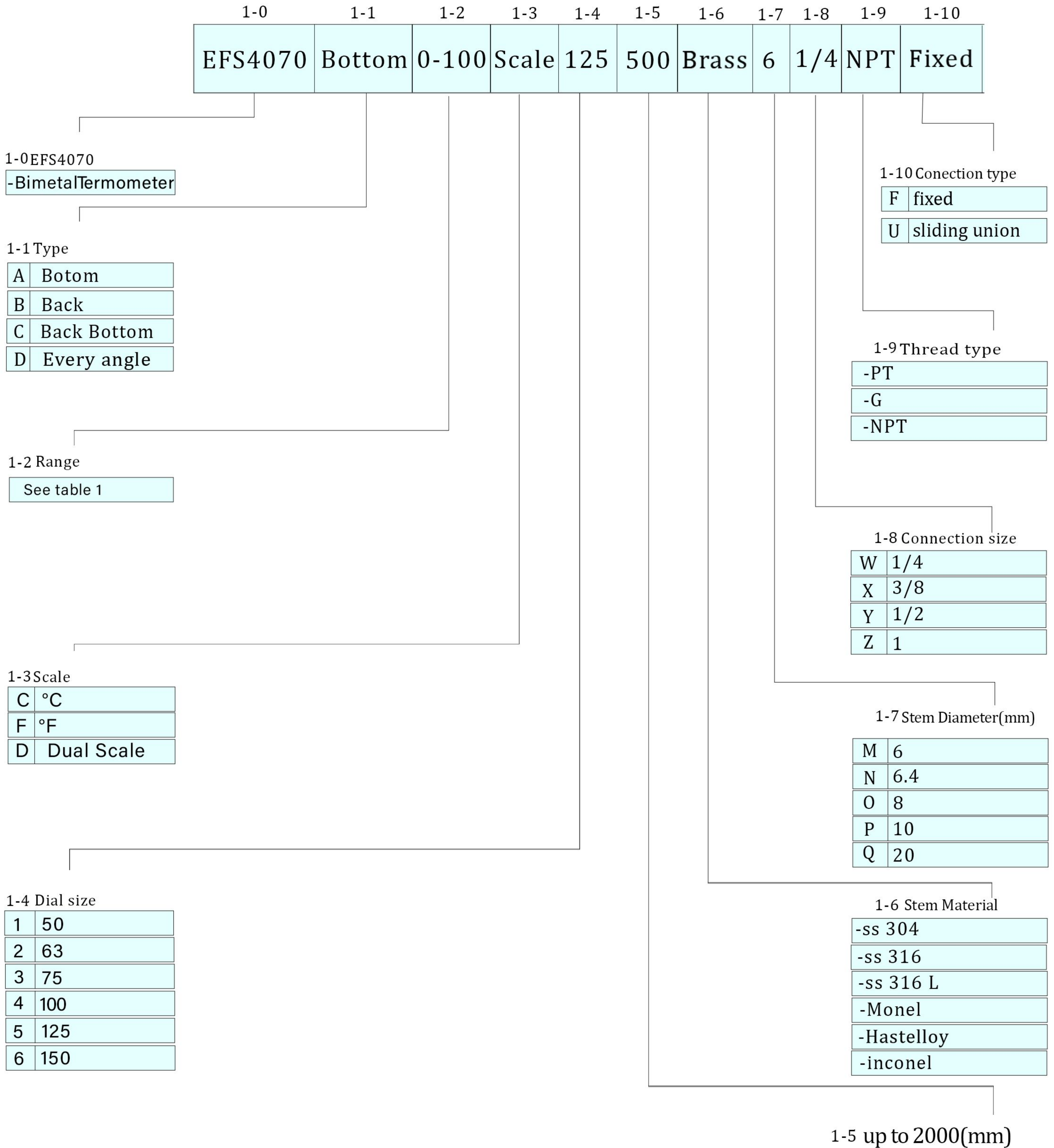




Bimetal thermometer

Model No. EFS-SS4070





Bimetal thermometer

Model No. EFS-SS4070



EFS-SS4070

Summary

This instrument is designed to adjust the measuring angle as you want to . Therefore, you can change the location as your own discretion and measure it.

Safety Management

- Do not give impact during transportation, installation, and usage.
- Be sure to install a protecting device where exist vibration.
- Avoid places where exist a lot of steam and poisonous gas.

Purpose of Use

- A place where decoding direction of indication requires changes by own discretion.
- Various boilers
- Petrochemistry plant, food processing, etc

Production Specification

- ▶ Accuracy
 - $\pm 1.0\%$ of Full Scale
 - $\pm 2.0\%$ of Full Scale
- ▶ Scale Range
 - $-30^{\circ}\text{C} \sim 650^{\circ}\text{C}$
- ▶ Common Temperature
 - 75% of Full Scale

Product Specification

+ Case

. STS 304

+ Cover

. STS 304
. Slip-on-Fit
. bezel

+ Connection

. STS 304/316
. STS 304/316
. PF . PT . NPT \leftarrow 1/2,1/4,3/8,1

+ Window

. General glass
. Tempered Safety glass
. Laminated Safety glass

+ Dial

. Aluminum
. color of white
. Black gradation and characters
. Dual or single scale

+ Pointer

. Aluminum
. Black coating

+ Well

. STS 304, STS 316
. Titanium , Monel , hastelloy
. Teflon Lining , Glass lining

+ Zero

. Adjustable screw
. Adjustable pointer

+ option

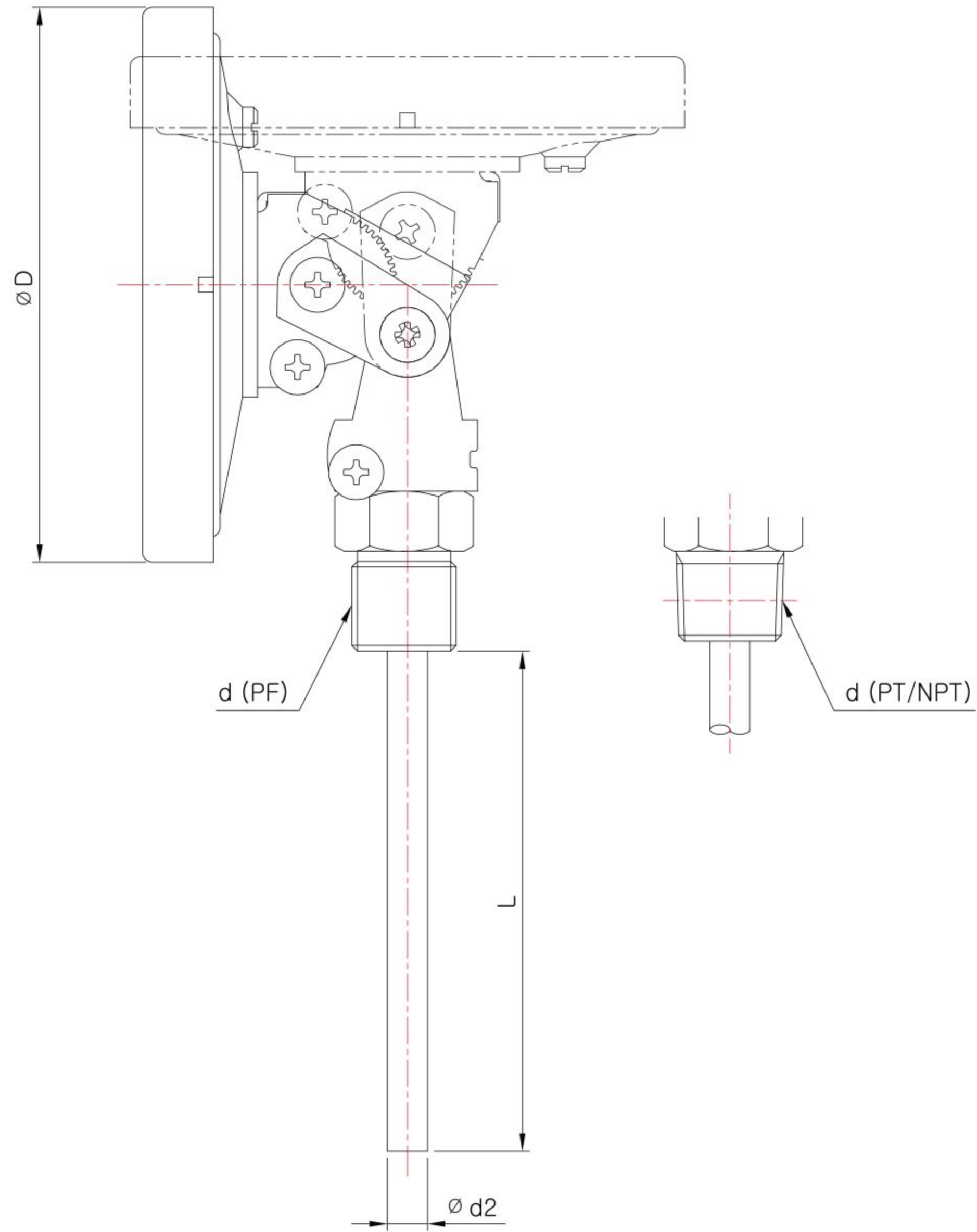
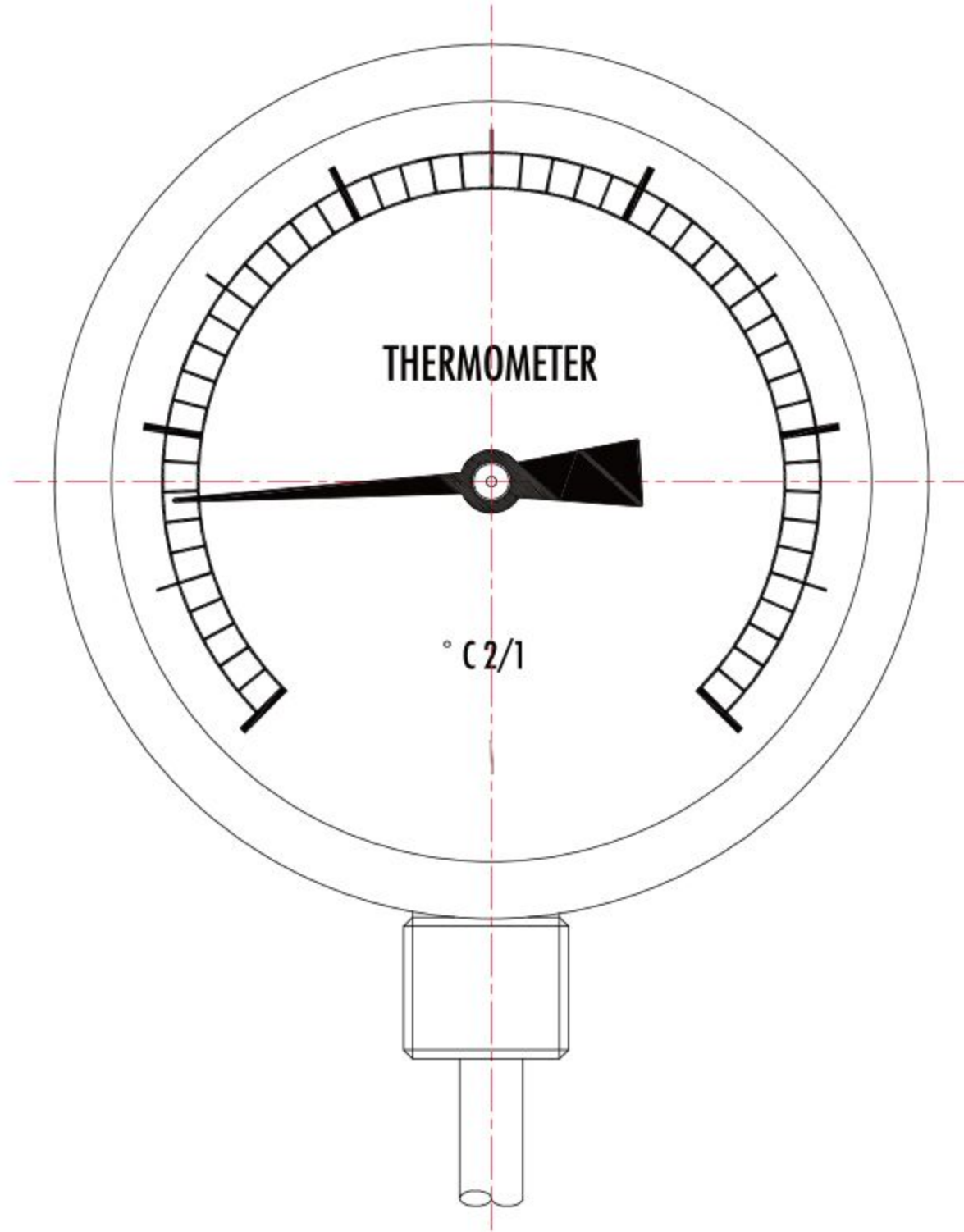
. Electrical contact



Bimetal thermometer

Model No. EFS-SS4070

Model No. | EFS-SS4070



See table 1

Range	Minimum Graduation
-20 ~ 80	2
-20 ~ 100	2
0 ~ 50	1
0 ~ 80	2
0 ~ 100	2
0 ~ 120	2
0 ~ 150	2
0 ~ 200	5
0 ~ 250	5
0 ~ 300	5
0 ~ 350	5
0 ~ 400	10
0 ~ 500	10



Type A(Bottom)



Type B(Back)



Type c(Back Bottom)